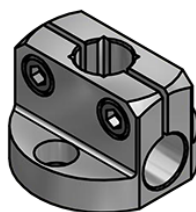
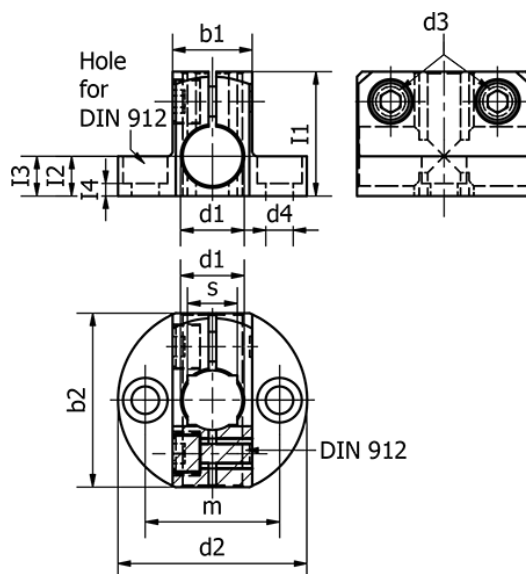


Article number: 20473B12MT

Description: E+G Foot clamp mounting - GN 473-B12-MT

## Measures



b1	= 16	l2	= 8
b2	= 35	l3	= 8
Clamping kit for d3	= GN 511-M5-16	l4	= 2.5
d1	= B12	m	= 27
d2	= 38	s	= 10
d3	= M5	Weight (g)	= 33
d4	= M5		
l1	= 25		